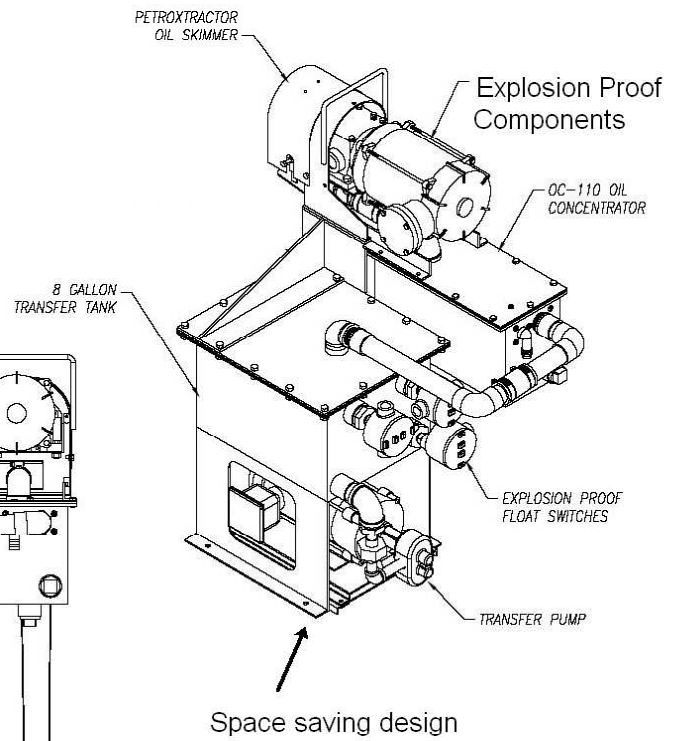
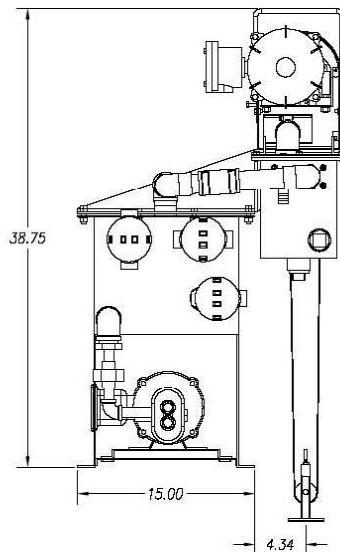
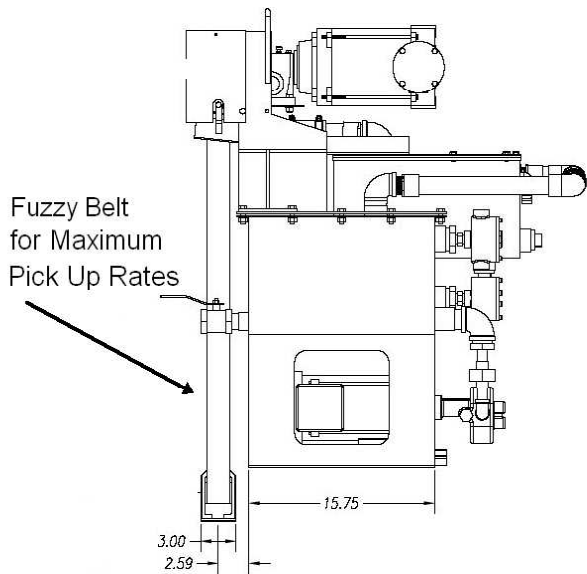
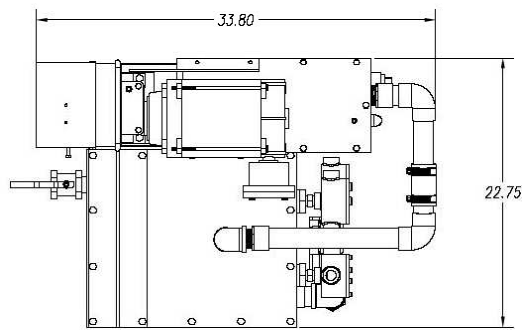


Light Fuel Oils



UNLESS OTHERWISE SPECIFIED DIMENSIONS ARE IN INCHES TOLERANCES:		ABANAKI CORPORATION Depth Falls, Ohio 44023 (440) 565-7900	
DECIMALS	ANGULAR	DRAWING NAME	
.005 ± .005	± 0.5°	DRAWING NAME	
.010 ± .010		OVERALL DRAWING	
REV	DESCRIPTION	DATE	APPROVED
1	Ken Fagan	12/01/05	
THIS PRINT IS THE PROPERTY OF ABANAKI CORPORATION. IT MAY NOT BE REPRODUCED IN ANY MANNER OR SUBMITTED TO ANY OUTSIDE PARTIES FOR EXAMINATION WITHOUT OUR EXPRESSED WRITTEN CONSENT. IT SHALL BE USED ONLY AS A MEANS OF REFERENCE TO WORK DESIGNED OR FURNISHED BY US. U.S. PATENTS PENDING.		DO NOT SCALE DRAWING	DATE: 12/01/05
DRAWN BY: Ken Fagan		DATE: 12/01/05	REV: 0
PART MADE ON: 12/01/05		QUANTITY: 1	REV: 0